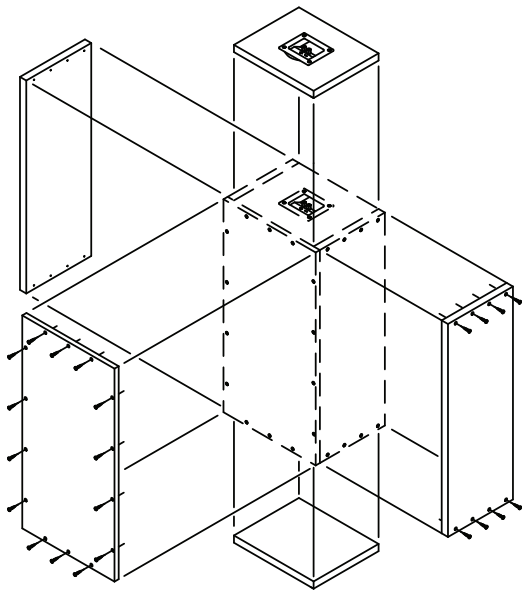
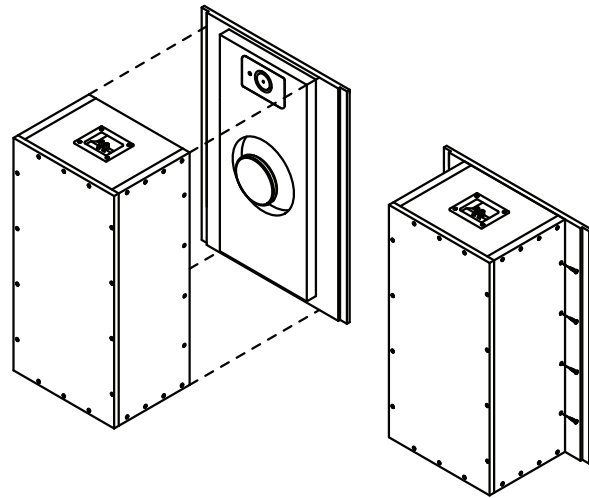


## MDF BACK BOXES - 8-3/8" DEEP



**Box Assembly Detail**

1" screws provided to secure back to sides.  
1-1/4" screws provided to secure sides to ends.



**Speaker Attachment Detail**

1-1/4" screws provided to secure back box to the sides of the speaker's raised baffle box prior to installation.

### Recommended Applications:

We recommend using this back box on installations where the space behind the drywall is open, requiring a deep enclosure. This typically occurs in ceiling installations in which there is an air gap or large unenclosed area behind the speaker. This product is also useful on installations where sound transfer from one floor to the next is of concern.

### Construction:

This back box is constructed of MDF and shipped disassembled. Assembly is simple and should take only 5 to 10 minutes with the aid of a power screwdriver. The parts are pre-drilled and the screws are included. A terminal cup with speaker wire pigtailed allow the back box to be completely assembled and attached to the speaker before the speaker is

installed. Fiberglass insulation for the interior of the box is included.

### Included Accessories:

PlaceSaver™ Pre-Installation Brackets

### Architectural and Engineering Specifications:

The BX back box shall be constructed of 1/2" MDF and will ship unassembled. The BX series back boxes shall require a mounting depth of 8-3/8" and should be

assembled and attached to the rear of the speaker prior to installation. The back boxes shall include all mounting screws and insulation.

### Pre-Installation Note:

Use appropriate Stealth Acoustic PlaceSaver™ to reserve the location of the speakers at the rough-in stage of installation. The back boxes install *with* the speakers after the drywall has been hung, but before taping begins.

### Dimensions:

Model	For Speakers	Width	Height	Depth	Ship Weight
BX-30	LR3, B30	10-15/16" (278 mm)	29-7/8" (759 mm)	8-3/8" (213 mm)	40 lbs. (18.1 kg)
BX-8	LR8, B22, SLR8*	10-15/16" (278 mm)	21-7/8" (556 mm)	8-3/8" (213 mm)	34 lbs. (15.4 kg)
BX-6	LR6	9-3/4" (248 mm)	14" (356 mm)	8-3/8" (213 mm)	21 lbs. (9.5 kg)

\*SLR8 requires SLR8-MK Modification Kit